



John Meunier Escalator[®] Fine Screen

WATER TECHNOLOGIES

John Meunier Escalator® Fine Screen

The John Meunier Escalator gives continuous fine screening for channel type applications with superior efficiency to slotted and bar screens. This highly versatile screen is successfully employed in wastewater, stormwater and potable water applications. Perforated stainless steel screen panels are carried on heavy-duty chains and incorporate holes of 1 / 4" (6mm) diameter or less, giving fine screening in any direction.

The screen panels are specially formed to create shelves giving the ability to remove larger screenings and to increase the effective screening area. Flow capacity is dependent on channel width, water level and perforation size.

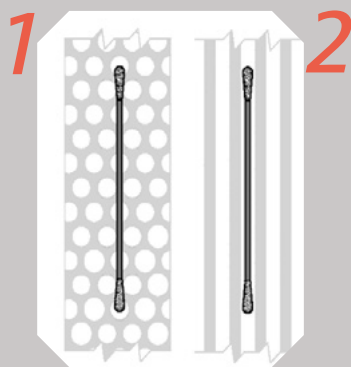
The Escalator can readily be installed in new or existing channels with a minimum of civil alterations. With over 1100 units in service, the Escalator Fine Screen is a proven, reliable component of John Meunier pretreatment products.

Features

- Top performer in UK study.
- Versatile for wastewater, stormwater and surface water applications.
- Heavy duty, stainless steel construction.
- Intermediate internal grid supports.
- Industry leading tight-tolerance construction.
- Positive sealing at foot via double full-width brushes and neoprene sealing flap.
- Superior cleaning with combined spray wash and mechanical high-speed brush.
- All maintenance from operating floor.
- Available pivoting design.
- John Meunier products' superior applications engineering, support and service.

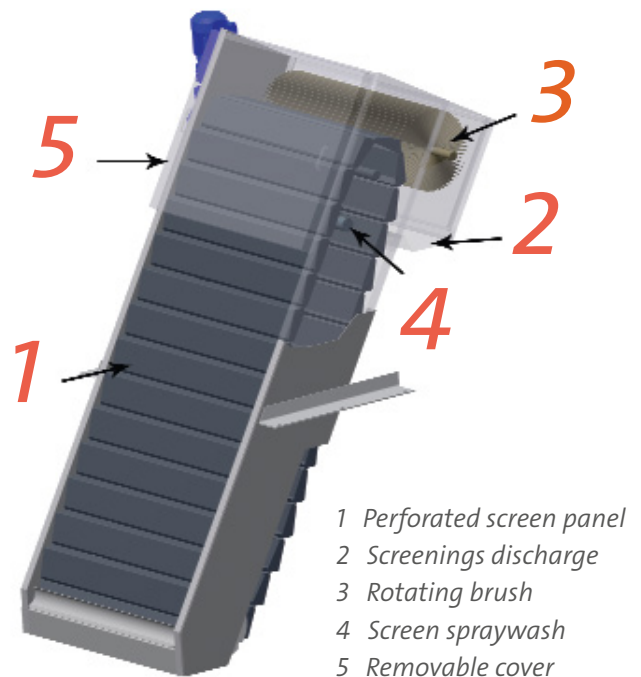
Screening removal efficiency comparison

1. John Meunier Escalator Fine Screen
2. Bar & Step Type Fine Screen



79% **35%**

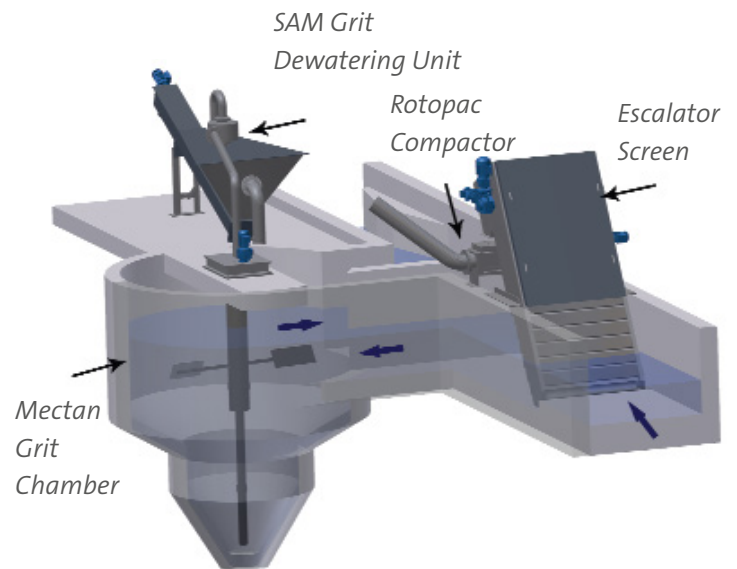
Percentage of Solid
Capture Ratio



- 1 Perforated screen panel
- 2 Screenings discharge
- 3 Rotating brush
- 4 Screen spraywash
- 5 Removable cover

Principle of operation

- Flow enters screen at foot and solids are captured by perforated panels.
- Perforated panels convey screenings to operating floor discharge on downstream side of screen.
- Structural shelf on perforated panels lifts larger “unmattable” items.
- High-speed rotating brush and spray wash clean screening from perforated panels.
- Screenings pass through discharge chute into dewatering compactor.



Your Pretreatment Specialist

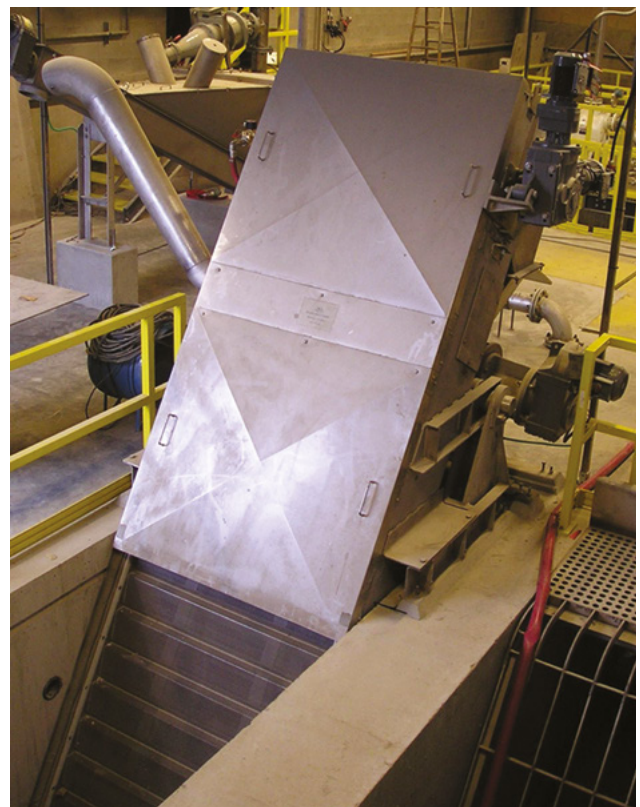
A complete line of John Meunier headworks solutions

Proven Performance

The screen performance impacts the overall operation and maintenance of the subsequent treatment processes. Between 1998 and 2000, the Escalator screen was evaluated along with other manufacturers' units at the Chester-Le-Street STP, Co Durham UK.

These tests demonstrated that for all inclined screens tested, the Escalator Fine Screen has the highest SCR (Solids Capture Ratio) in the static mode (Off- mode).

Other tests also determined that the Escalator screen is over 97% efficient in limiting solids “Carry Over”, thus reducing significantly the amount of traceable solids in the effluent.



Resourcing the world

Veolia Water Technologies

4105 Sartelon • St-Laurent, Quebec • H4S 2B3 Canada

tel: 514-334-7230 • fax: 514-334-5070

sales@veolia.com • www.veoliawatertechnologies.ca